

Coupler Packages Application & selection

Shown: AP-500, MHV-1, ACBS-22A



▶ Accumulator packages will help maintain system pressure to your fixture when separated from the hydraulic source. The gauge will display system pressure after the circuit is disconnected.

■ ACBS-202A Accumulator package used to maintain pressure on a machine tool fixture.



Coupler packages

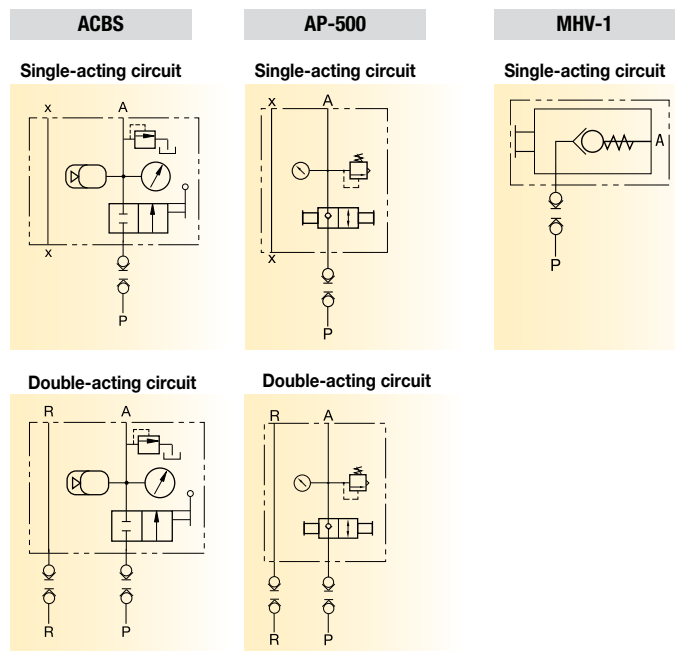
...compact design for easy use of accumulators

- Single design accommodates both single-acting or double-acting circuit
- Relief valve fitted and ball check shut-off
- Glycerin-filled gauge included
- Supplied standard with one male coupler (AH-652)
- Optional manifold mounting. O-ring seals located on bottom of block only for single-acting circuit.

MHV-1 Modular holding valve

- Allows separate operation of clamping fixtures with a single power source
- Ideal for applications when fluid feed lines are impractical. If system pressure is interrupted, the MHV-1 will hold the pressure beyond the valve
- Max. oil flow 5 l/min
- To release system pressure, rotate valve handle in either direction 90° to release and retract system pressure.

i Coupler package circuits



Product selection

Operating pressure	Model number	Max. rated oil volume	Gas volume	Pre-charged nitrogen pressure	Usable oil capacity
bar		cm ³	cm ³	bar	cm ³ at 350 bar
100 - 350	ACBS-22A	16,4	20,0	100	8,7
100 - 350	ACBS-202A	163,9	169,9	100	73,9
0 - 350	AP-500	AP-500 uses WA-502 or WA-5010 ¹⁾			
0 - 207	MHV-1	-	-	-	-

¹⁾ See pre-charge chart on page 163 for hydraulic operating pressures.

Pressure: 0 - 350 bar

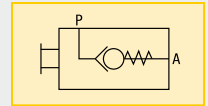
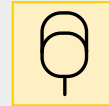
Oil volume: 16,4 - 163,9 cm³

Gas volume: 20 - 169,9 cm³

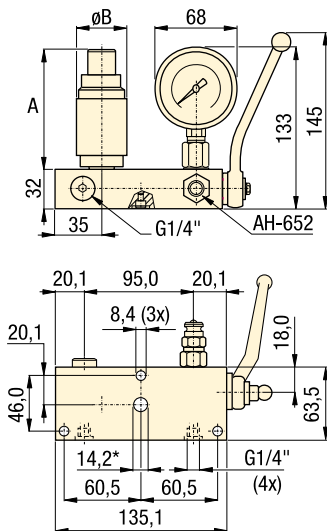
E Acopladores manuales

F Manuel coupleur

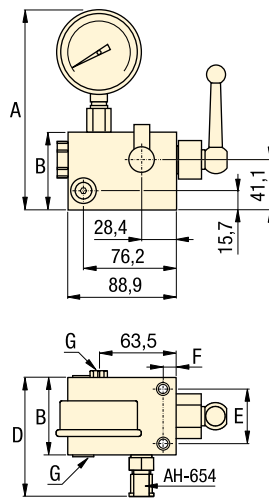
D Manuelle kupplung



ACBS

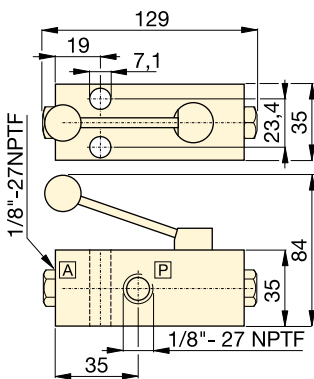


AP-500



¹⁾ Manifold hole should not exceed \varnothing 7,6 mm when port is utilized.

MHV-1



Product dimensions in mm []

Model number	A	B	C	D	E	F	G	Recommended charging tool	kg
▼ Pre-charged accumulator coupler packages									
ACBS-22A	68	42	-	-	-	-	G1/4"	WAT-2	4,6
ACBS-202A	106	85	-	-	-	-	G1/4"	WAT-2	5,4
AP-500	163,6	63,5	89,0	97,5	44,5	9,7	SAE #4	-	3,9
MHV-1	-	-	-	-	-	-	1/8" NPTF	-	-

Options

Couplers

192 ▶



High pressure filters

193 ▶



Hydraulic oil

193 ▶



Fittings

194 ▶



Important

Enerpac high pressure in-line filters are required for use with these control units to prevent damage that can be caused by contaminants that have penetrated your hydraulic fluid system.

Order an additional male coupler for use in double-acting hydraulic circuits.
ACBS-Series: AH-652
AP-500: AH-654